

Feel Confident in Every Situation

Our lifting systems are valued for their long durability and high quality. Whether the working environment is hot or cold, our systems assure lifting operations with high safety and functionality.

Gunnebo Industries shackles are made from a range of steel qualities, including acid proof stainless steel and high grade alloy steel to comply with the most stringent specifications. Our workshops comprise all facilities and systems for the manufacturing and control of a top quality product. This includes tool design, an advanced tool shop, forging, heat treatment, machining, hot dip galvanizing and quality control.

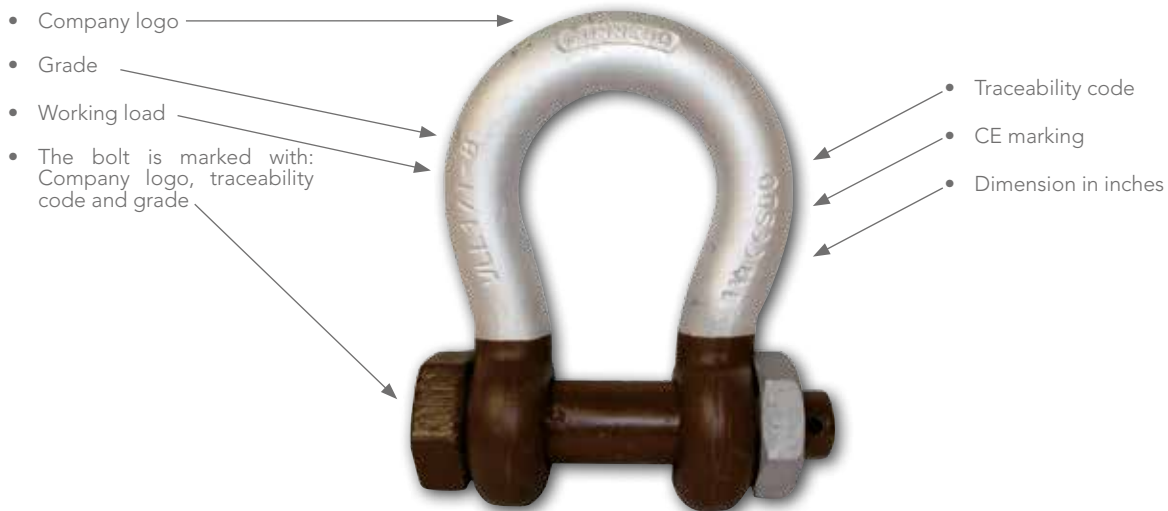
We offer a range of DNV 2.7-1 Type approved lifting shackles for offshore containers, developed for the tough conditions of the offshore industry, where safety must be of the highest priority at all times. The heat treatment of these products ensures the proper ductility and strength to sustain shock loads which may be imposed when the container is lifted from the deck of a vessel.

Furthermore we offer Standard shackles, Super lifting shackles with increased working load limit, ROV shackles, Heavy duty shackles, Wide-Body shackles, Mooring shackles, Stainless Steel shackles etc.

Make sure you have the original

- High quality shackles acc. EN 13889 and U.S. Fed.Spec RR-C. 271 (grade A and grade B)
- Consistent product quality
- Long experience of shackle production using modern manufacturing methods
- Local availability of expertise from Gunnebo Industries subsidiary or distributors

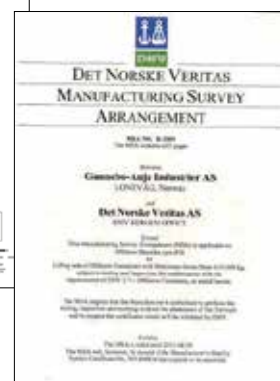
To ensure you have a genuine Gunnebo Industries Shackle, it should be marked as below:



Product documentation

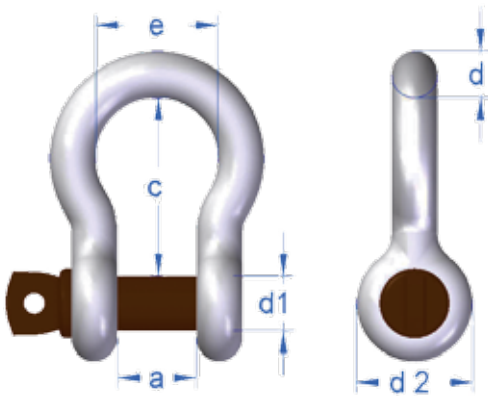
Upon request at time of order, load rated products can be supplied with the following documents:

- Works certificate acc. EN 10204 - 2.1
- Sample certificate of raw material acc. EN 10204 - 3.1
- Test certificate
- Traceable raw material / inspection certificate acc. EN 10204 - 3.1
- Third party proof load documentation

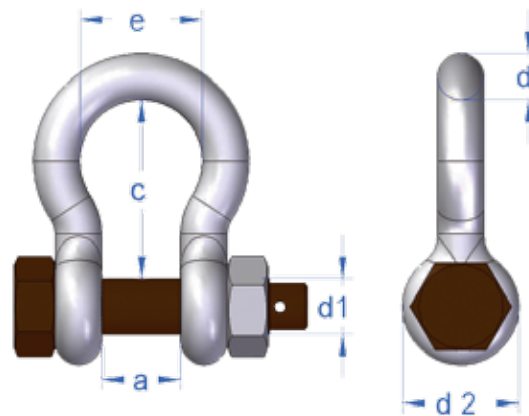


Bow Shackle No 854 and No 855

Standard: DNV 2.7-1 Type Approved, EN 13889 and U.S Fed. Spec. RR-C-271
 Material: High Tensile Carbon Steel, Quenched and tempered, Grade 6
 Finish: All parts hot dip galvanized, brown painted bolts on top of galv.
 Safety factor: 6:1
 Documentation: Test certificate and traceable raw material / inspection certificate acc. EN-10204 - 3.1.
 Sizes from 2 - 85 tonnes can be supplied with DNV 2.7-1 Type Approval Certification.
 Temperature: -20°C to 200°C



Shackle No 854 with screw pin



Shackle No 855 with safety bolt

Art. no. Screw pin	Art. no. Safety bolt	WLL tonnes 6:1	Dim. d1	d Trade size		inner width a*	inner length c*	Bow width e	Eye outer d2	Screw pin kgs	Safety bolt kgs
				mm	inch						
A085405	-	0,33	6	5	3/16"	10	22	16	13	0.02	-
A085406	A085506	0.5	8	6	1/4"	12	29	20	16	0.06	0.07
A085408	A085508	0.75	10	8	5/16"	13	32	21	20	0.11	0.13
A085409	A085509	1.0	11	9	3/8"	16	36	26	22	0.15	0.17
A085411	A085511	1.5	13	11	7/16"	18	43	29	26	0.21	0.25
A085413	A085513	2.0	16	13	1/2"	21	47	33	33	0.37	0.42
A085416	A085516	3.25	19	16	5/8"	27	60	42	40	0.65	0.70
A085419	A085519	4.75	22	19	3/4"	31	71	49	47	1.10	1.20
A085422	A085522	6.5	25	22	7/8"	37	84	60	52	1.50	1.70
A085425	A085525	8.5	28	25	1"	43	95	68	60	2.21	1.50
A085428	A085528	9.5	32	28	1 1/8"	46	108	74	64	3.10	3.40
A085432	A085532	12.0	35	32	1 1/4"	52	119	83	72	4.20	4.80
A085435	A085535	13.5	38	35	1 3/8"	57	132	89	74	6.00	7.00
A085438	A085538	17.0	42	38	1 1/2"	60	146	98	84	8.00	9.00
A085445	A085545	25.0	50	45	1 3/4"	74	178	127	105	13.50	15.00
A085452	A085552	35.0	57	50	2"	83	197	138	112	19.00	21.00
-	A085556	42.5	65	57	2 1/4"	95	222	160	132	-	28.50
A085464	A085564	55.0	70	65	2 1/2"	105	255	185	145	38.00	39.00
-	A085576	85.0	83	75	3"	127	330	190	165	-	62.00
-	**A085589	120 (5:1)	95	95	3 3/4"	146	400	235	208	-	110.00

* Forging tolerance: +/- 5% on inside width/length.

** Safety factor 5:1

Split pin included